

400 SERIES

GLIDING WINDOWS

400 Series
Gliding Windows

SECTION REFERENCE

Tables of Sizes	115
Opening Specifications	116
Divided Light Patterns	116
Window Details	117
Combination Designs	259
Performance Data.....	269

Features

FRAME

A The exterior of the frame is covered with fiberglass to maintain an attractive appearance while minimizing maintenance.

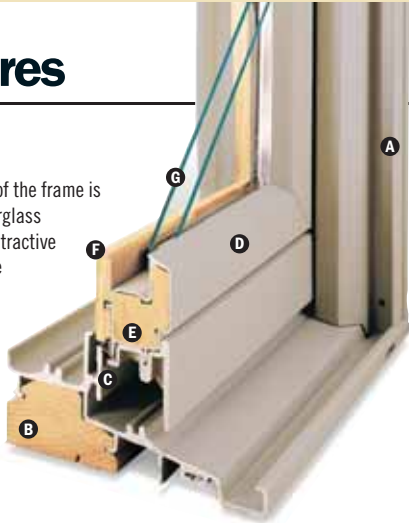
B Wood frame members are treated with a water-repellent wood preservative for long-lasting* protection and performance.

C Flexible bulb weatherstripping and spring tension vinyl are installed at the factory and help provide a tight seal between the sash and frame.

SASH

D For improved ventilation both sash are operable. Rigid vinyl (PVC) encases the entire sash. A vinyl weld protects each sash corner for superior weathertightness to maintain an attractive appearance and minimize maintenance.

E Natural wood sash members help provide excellent structural stability and energy efficiency.



F Interior stops are unfinished pine. Low-maintenance prefinished white interiors are also available.



Delrin® Glides

Teflon® impregnated Delrin® glides are self-lubricating and require only 8 lbs. of force to operate. A stainless steel spring within the glide provides years* of reliable operation — even in harsh environments.

GLASS



G High-Performance™ glass options include:

- Low-E4® glass
- Low-E4® SmartSun™ glass
- Low-E4® Sun glass

Tempered glass and other glass options are available. Contact your Andersen supplier. (Glass option must be specified.)

PATTERNED GLASS

Patterned glass options are available. See page 12 for more details.

H Fold-out-and-lock installation flanges accommodate 4 1/2" and 4 1/8" wall construction.

HARDWARE



Locking System

I For an added measure of security and increased weathertightness, the locking system pulls the sash firmly closed while pushing the sash tight to the side jambs. This lock is single-point on 2' tall windows, two-point on 3' tall windows, and three-point on 3'-6", 4' and 5' tall windows.

* For complete information on our limited warranties, visit andersenwindows.com or contact your Andersen supplier.

"Delrin" and "Teflon" are registered trademarks of E.I. du Pont de Nemours and Company.

For more information about **glass, patterned glass, grilles, TruScene® insect screen and installation accessories**, see pages 12–32 or visit

andersenwindows.com

Accessories

Sold Separately.

FRAME



Extension Jambs

Standard jamb depth is 4 9/16". Extension jambs are available in unfinished pine or prefinished white. Some sizes may be veneered.

Factory-Applied Extension Jambs

Available factory-applied in 6 9/16" size.

Non-Applied Extension Jambs

Non-applied extension jambs are available for the following wall depths:

- 5 1/4"
- 6 9/16"
- 7 1/8"

HARDWARE



Passive Sash Handle

Attaches to the passive sash to aid in operation. Available in Sandtone color only.

INSECT SCREENS

EXCLUSIVE

TruScene® Insect Screen

TruScene insect screens are made with a micro-fine stainless steel mesh that's one-third the diameter of our aluminum screen wire. They provide over 50% more clarity than our conventional insect screens. They also let more sunlight and fresh air into the home.

Conventional Insect Screen

Conventional insect screens have charcoal powder-coated aluminum screen cloth.

Insect Screen Frames

Choose full insect screen (fixed), or Pass-Thru (gliding) insect screen. Frames are available in White, Sandtone and Terratone® colors to match product exteriors.

NEW

EXTERIOR TRIM

This product now available with Andersen Exterior Trim. See pages 141–144 for details.

CAUTION:

- Painting and staining may cause damage to rigid vinyl.
- Products in Sandtone or Terratone® color may be painted any color lighter than Terratone using quality oil-base or latex paint. Submit color samples to Andersen for approval when painting White. Submit color samples to Andersen for approval when painting Sandtone or Terratone any color darker than Terratone.
- Do not paint Forest Green exteriors.
- Creosote-based stains should not come in contact with Andersen products.
- Do not paint weatherstripping.
- Abrasive cleaners or solutions containing corrosive solvents should not be used on Andersen products.
- For vinyl painting instructions and preparation, contact your Andersen supplier.
- Andersen does not warrant the adhesion of paint to vinyl.

Exterior

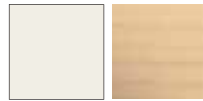
Specify a unit exterior and interior option to complete your order.



White Sandtone Terratone®

Also available in Forest Green. See your Andersen supplier for details.

Interior



white pine

Naturally occurring variations in grain, color and texture make each window one-of-a-kind.

Hardware

Sold Separately.



Rotating Sash Handle

Available in bright brass, antique brass, polished chrome, brushed chrome, **satin nickel**, oil rubbed bronze, distressed nickel, distressed bronze, white, stone and black.

Bold names denote finish shown.

Hardware Finishes

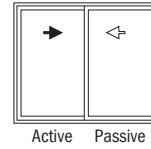


bright brass antique brass polished chrome brushed chrome satin nickel oil rubbed bronze distressed nickel distressed bronze white stone black

Table of Gliding Window Sizes

Scale 1/8" = 1'-0" (1:96)

Window Dimension	2'-11 1/4"	3'-11 1/4"	4'-11 1/4"	5'-11 1/4"
Minimum Rough Opening	3'-0"	4'-0"	5'-0"	6'-0"
Unobstructed Glass (single sash only)	12 9/16"	18 9/16"	24 9/16"	30 9/16"
1'-10 1/4"	1'-11" 14 1/8"			
2'-11 1/4"	3'-0" 27 1/8"			
3'-5 1/4"	3'-6" 33 1/8"			
3'-11 1/4"	4'-0" 39 1/8"			
4'-11 1/4"	5'-0" 51 1/8"			



Viewed from the exterior.

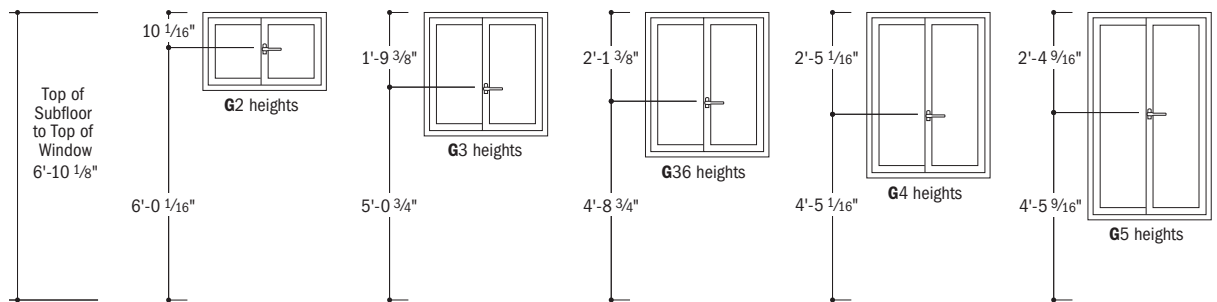
Divided light patterns shown on page 116.

- "Window Dimension" always refers to outside frame to frame dimension.
- "Minimum Rough Opening" dimensions may need to be increased to allow for use of building wraps, flashing, sill panning, brackets, fasteners or other items. See installation information on page 33.
- ◊ Meet or exceed clear opening area of 5.7 sq. ft., clear opening width of 20" and clear opening height of 24". See table on page 116.

Handle Location

Operational force of handle is equal to 8 pounds.

Dimensions shown are from top of handle in open position.



GLIDING WINDOWS

Gliding Window Opening Specifications

Window Number	Clear Opening Sq. Ft.	Clear Opening in Full Open Position		Glass Area Sq. Ft.	Vent Sq. Ft.	Top of Subfloor to Top of Inside Sill Stop Inches	Overall Window Area Sq. Ft.
		Width Inches	Height Inches				
G32	1.70	14 9/32"	17 1/8"	2.5	1.70	62 9/16"	5.45
G33	3.00	14 9/32"	30 1/8"	4.7	3.00	49 9/16"	8.63
G336	3.58	14 9/32"	36 1/8"	5.7	3.58	43 9/16"	10.10
G34	4.18	14 9/32"	42 1/8"	6.8	4.18	37 9/16"	11.57
G35	5.40	14 9/32"	54 1/8"	8.9	5.40	25 9/16"	14.50
G42	2.40	20 9/32"	17 1/8"	3.6	2.40	62 9/16"	7.30
G43	4.40	20 9/32"	30 1/8"	7.0	4.40	49 9/16"	11.57
G436	5.10	20 9/32"	36 1/8"	8.5	5.10	43 9/16"	13.54
G44 ◊	6.00	20 9/32"	42 1/8"	10.0	6.00	37 9/16"	15.50
G45 ◊	7.62	20 9/32"	54 1/8"	13.1	7.62	25 9/16"	19.44
G53	5.50	26 9/32"	30 1/8"	9.2	5.50	49 9/16"	14.50
G536 ◊	6.60	26 9/32"	36 1/8"	11.3	6.60	43 9/16"	16.97
G54 ◊	7.70	26 9/32"	42 1/8"	13.3	7.70	37 9/16"	19.44
G55 ◊	9.90	26 9/32"	54 1/8"	17.4	9.90	25 9/16"	24.38
G63 ◊	6.75	32 9/32"	30 1/8"	11.5	6.75	49 9/16"	17.44
G636 ◊	8.10	32 9/32"	36 1/8"	14.0	8.10	43 9/16"	20.41
G64 ◊	9.44	32 9/32"	42 1/8"	16.6	9.44	37 9/16"	23.38
G65 ◊	12.13	32 9/32"	54 1/8"	21.7	12.13	25 9/16"	29.32

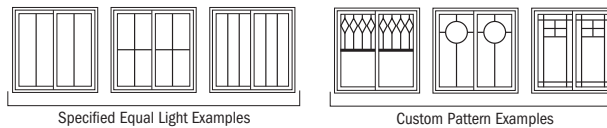
• "Top of Subfloor to Top of Inside Sill Stop" is calculated based upon a structural header height of 6'-10 1/2".
 ◊ Meet or exceed clear opening area of 5.7 sq. ft., clear opening width of 20" and clear opening height of 24".

Divided Light Patterns

	Prairie A	Colonial	Modified Colonial	Modified Colonial SCR (Simulated Check Rail)	Tall Fractional	Tall Fractional SCR (Simulated Check Rail)	Short Fractional	Short Fractional SCR (Simulated Check Rail)
Gliding								

Number of lights and overall pattern varies with window size.

Patterns are not available in all configurations.



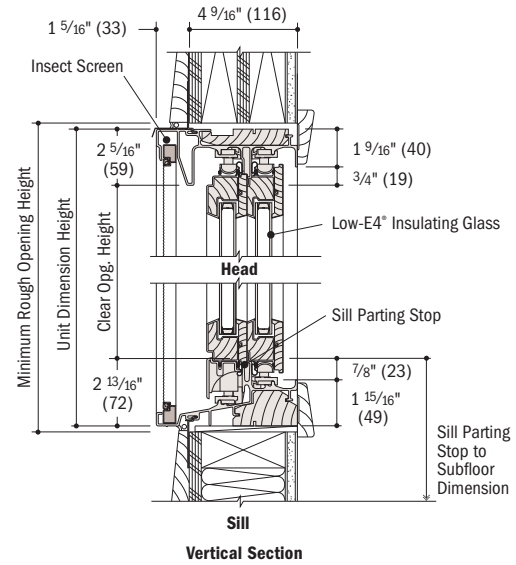
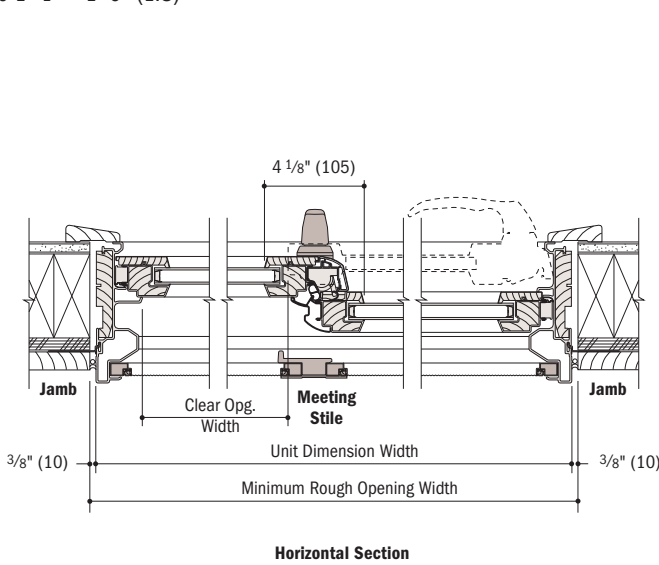
Specified equal light and custom patterns are also available.

For more information on divided light see page 13 or visit

andersenwindows.com/grilles.

Gliding Window Details

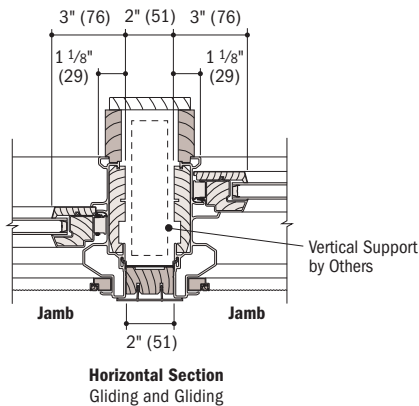
Scale 1 1/2" = 1'-0" (1:8)



Separate Rough Openings Detail

Scale 1 1/2" = 1'-0" (1:8)

To meet structural requirements or to achieve a wider joined appearance, windows may be installed into separate rough openings having vertical support (by others) in combination with Andersen® exterior filler and exterior vinyl trim.



- 4 9/16" jamb width measurement is from backside of installation flange.
- Light-colored areas are parts included with window. Dark-colored areas are additional Andersen® parts required to complete window assembly as shown.
- **Rough openings may need to be increased to allow for use of building wraps, flashing, sill panning, brackets, fasteners or other items. See installation information on page 33.**
- Details are for illustration only and are not intended to represent product installation methods or materials. Refer to product installation guides at andersenwindows.com.
- Consult with an architect or structural engineer regarding minimum requirements for structural support members between adjacent rough openings.

NOTES PAGE

